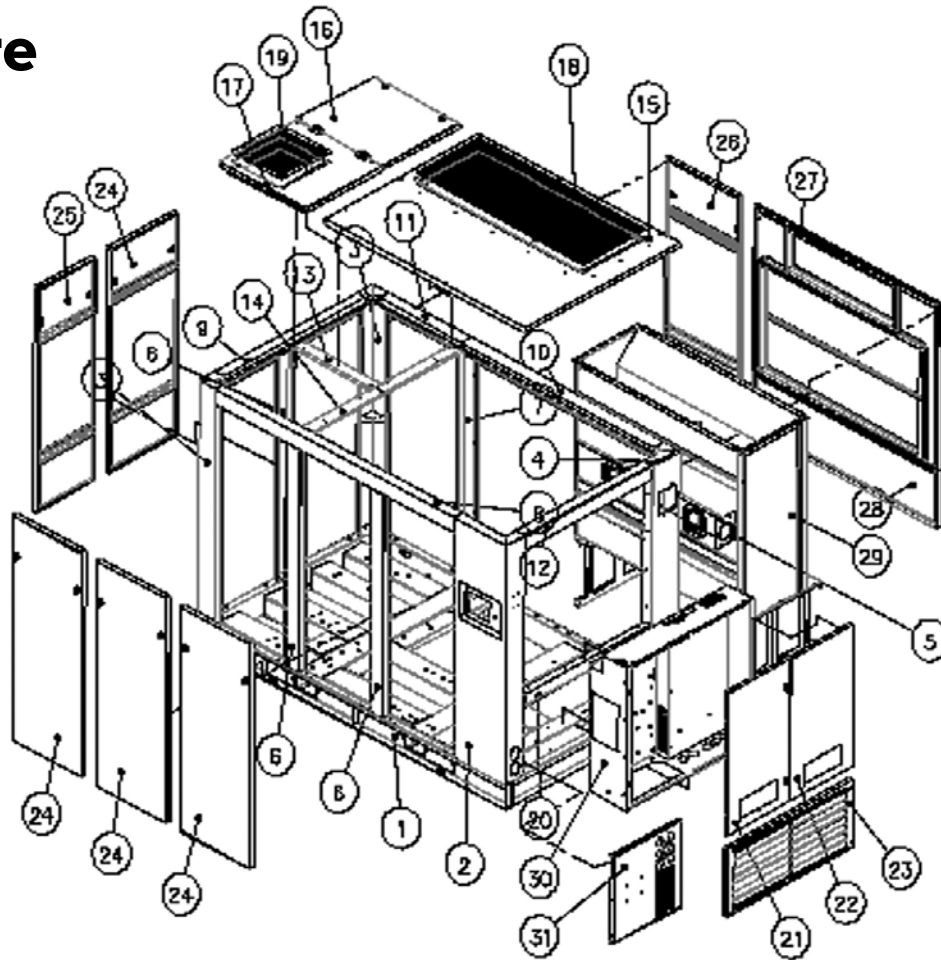


RKHD-220 Variable Speed - Parts List

Enclosure



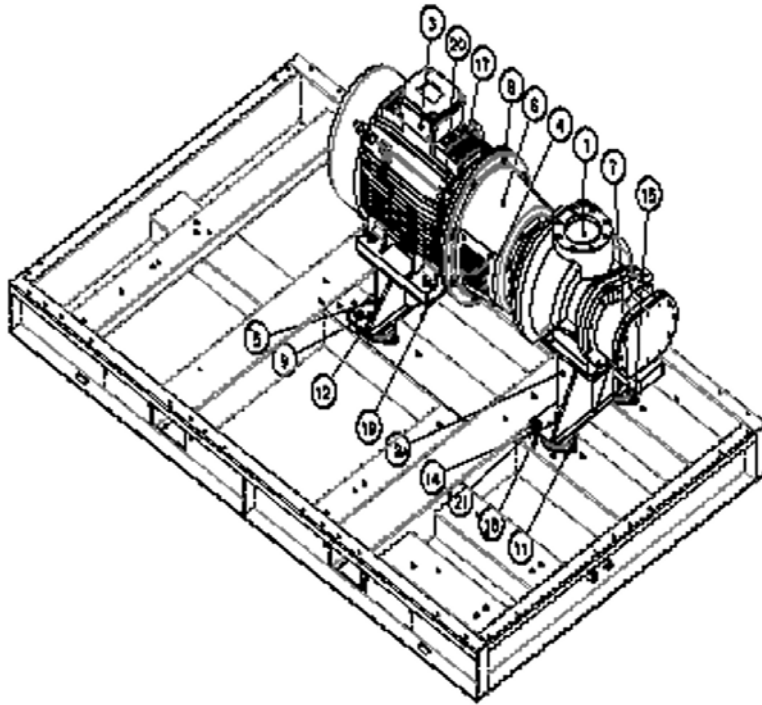
NO.	PneuTech #	Description	Qty
1		Base plate	1
2		Right front corner panel	1
3		Left front and rear corner	2
4	PTE-9061575	Right rear corner panel	1
5	PTE-9061576	Air outlet cover plate	1
6	PTE-9061577	Middle column	3
7	PTE-9061578	Rear middle column	1
8	PTE-9061579	Front spar	1
9	PTE-9061580	Upper left crossbar	1
10	PTE-9061581	Rear spar 1	1
11	PTE-9061582	Rear spar 1	1
12	PTE-9061583	Upper right crossbar	1
13	PTE-9061584	Upper support frame 1	1
14	PTE-9061585	Upper support frame 2	1

15	PTE-9061586	Top panel 1	1
16	PTE-9061587	Top panel 2	1
17	PTE-9061588	Top panel 3	1
18	PTE-9061589	Protection grid 1	1
19	PTE-9061590	Protection grid 2	1
20	PTE-9061591	Electrical cabinet fixing plate	1
21	PTE-9061592	Left door electrical cabinet	1
22	PTE-9061593	Right door electrical cabinet	1
23	PTE-9061594	Lower panel electrical cabinet	1
24	PTE-9061595	Closure panel 1	4
25	PTE-9061596	Closure panel 2	1
26	PTE-9061597	Closure panel 3	1
27	PTE-9061598	Rear upper panel	1
28	PTE-9061599	Rear lower panel	1
29	PTE-9061600	Conveyor	1
30	PTE-9061601	Electrical cabinet	1
31	PTE-9061602	Electrical cabinet fixing plate	1



RKHD-220 Variable Speed - Parts List

Drive System



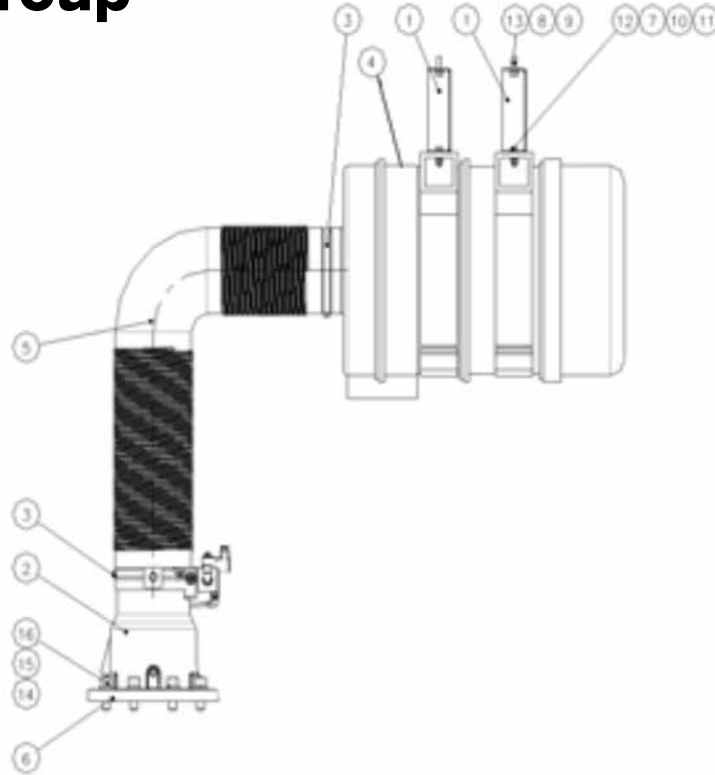
NO.	PneuTech #	Description	Qty
1	DA-9071535	Airend	1
2	DA-9071539	AIR-END support	1
3	DA-9071540	Electric motor	1
4	DA-9071541	Coupling assembly	1
5	DA-9071538	Motor Support DCT 160	1
6	DA-9071536	Lantern DCT 160	1
7	DA-9071508	M-type silent shock absorber	6
8	DA-9071509	Washer	28
9	DA-9071510	Washer	12
10	CS-9091505	Washer	8
11	DA-9071512	Spring washer	20
12	DA-9071513	Spring washer	8

13	DA-9071514	Spring washer	8
14	DA-9071515	Hexagon Head Bolt	4
15	DA-9071516	Hexagon Head Bolt	12
16	DA-9071517	Hexagon Head Bolt	8
17	DA-9071518	Hexagon Head Bolt	8
18	DA-9071519	Hexagon Head Bolt	2
19	DA-9071520	Hexagon Head Bolt	4
20	DA-9071521	Nut	8
21	DA-9071522	Large washer	2
22	DA-9071523	Nut	4



RKHD-220 Variable Speed - Parts List

Air Intake Group

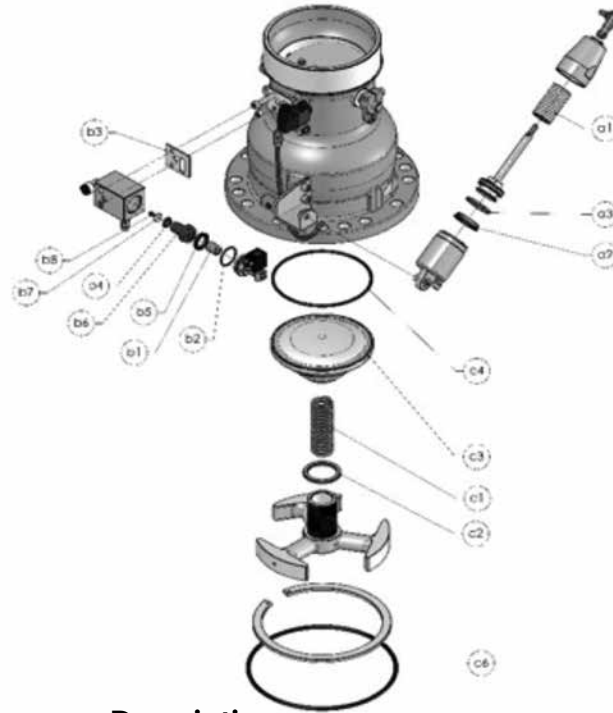


NO.	PneuTech #	Description	Qty
1	AIG-9081517	Air filter bracket	2
2	AIG-9081518	Intake valve	1
3	AIG-9081504	Steel hose clamp	2
4	AIG-9081519	Complete air filter assembly	1
4a	2532105	Air filter (cartdrige)	1*
5	AIG-9081520	intake hose	1
6	AIG-9081521	Gasket	1
7	AIG-9081508	Washer	8
8	AIG-9071511	Washer	4
9	AIG-9081509	Spring Washer	4
10	AIG-9081510	Spring Washer	4
11	AIG-9081511	Nut	4
12	AIG-9081512	Hexagon Head Bolt	4
13	AIG-9081513	Hexagon Head Bolt	4
14	DA-9071509	Washer	8
15	DA-9071512	Elastic washer	8
16	AIG-9081514	Hexagon socket head cap screws	8

*suggested spare parts

RKHD-220 Variable Speed - Parts List

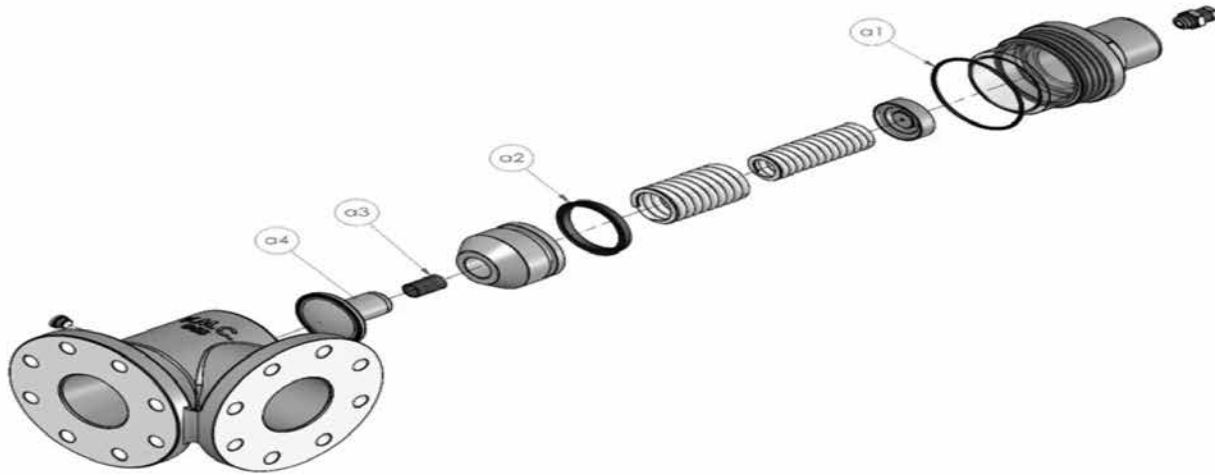
Intake Valve



NO.	PneuTech #	Description	Qty
-	IVK-0	COMPLETE MAINTENANCE KIT for RBC160E	*
K1	IVK-1	SPARE PARTS KIT for RBC160E SERVO CYLINDER	*
a1		Spring	1
a2		Seal ring	1
a3		Elastic bushing	1
K2	PT-22	SPARE PARTS KIT for RBC160E CONTROL BLOCK	*
b1		Spring	1
b2		O'ring	1
b3		Gasket	1
b4		Seal ring	1
b5		Seal ring	1
b6		Piston	1
b7		PTFE disc	1
b8		Screw	1
K3	IVK-3	SPARE PART KIT for RBC160E BODY	*
c1		Spring	1
c2		Limit stop washer	1
c3		Valve disc	1
c4		O'ring	1
c6		O'ring	1
-	9051300	COMPLETE CONTROL BLOCK EASY "E"	*

*Only complete kit can be provided.

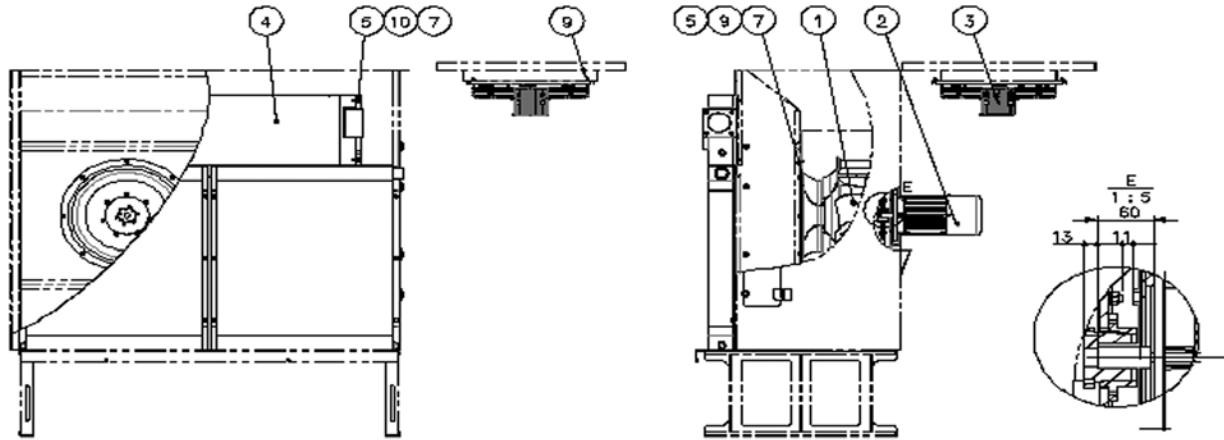
Valve Min. Pressure



NO.	PneuTech #	Description	Qty
K40	PT-40	SPARE PART KIT G55R Include a1 - a5	1*
a1		O'ring	1
a2		Seal ring	1
a3		Spring	1
a4		Valve disc (incl. bushing and seal ring)	1

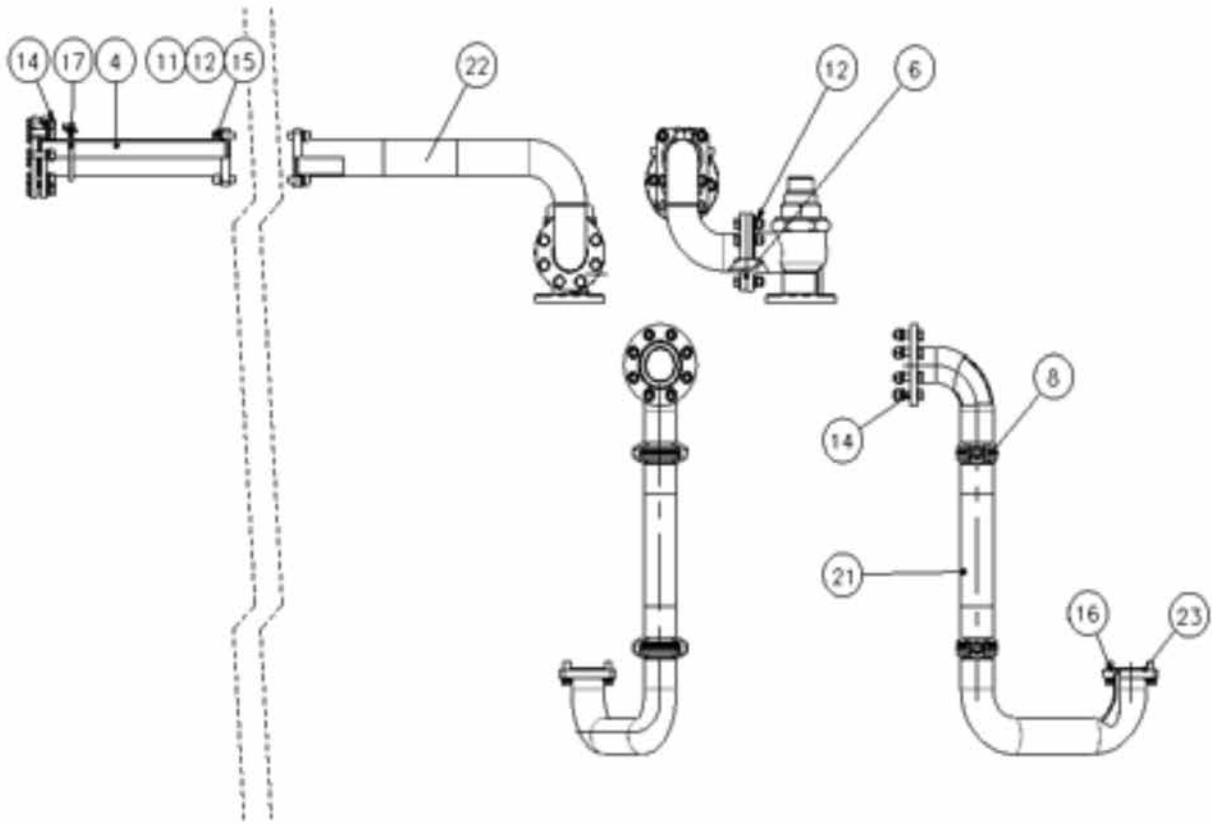
*Only complete kit can be provided.

Cooler System



NO.	PneuTech #	Description	Qty
1	CS-9091501	Centrifugal fan impeller	2
2	CS-9091502	Electric motor	2
3	CS-9091503	Electric fan	1
4	CS-9091504	Oil gas cooler	1
5	AIG-9081508	Washer	36
6	CS-9091505	Washer	8
7	AIG-9081510	Spring Washer	36
8	DA-9071514	Spring Washer	8
9	CS-9081506	Hexagon Head Bolt	20
10	AIG-9081512	Hexagon Head Bolt	16
11	CSW-9091507	Nut	8

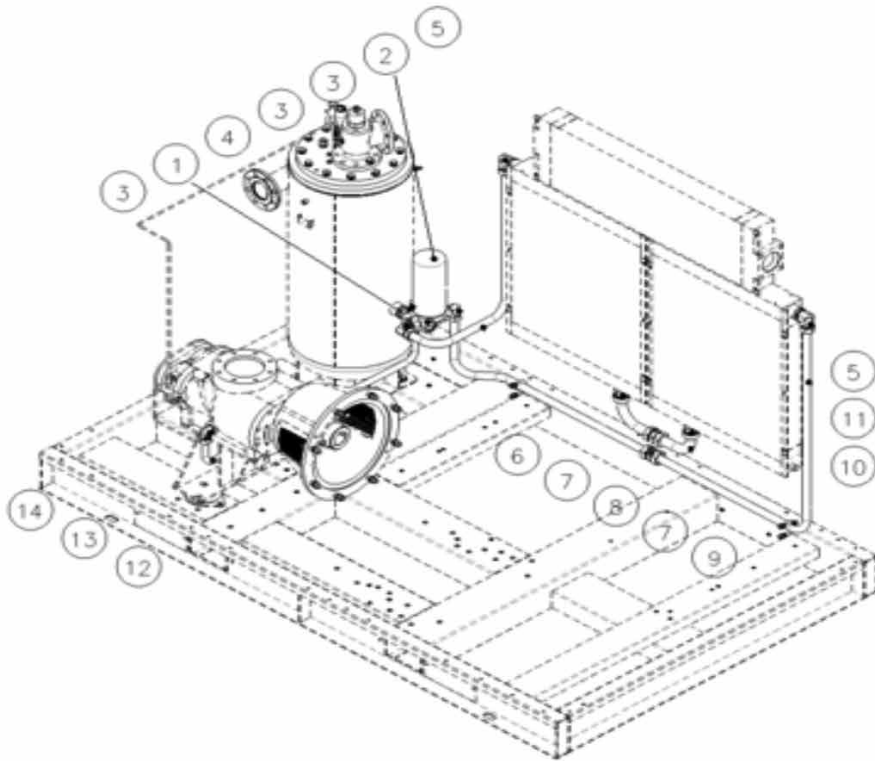
Air Pipe Assembly



NO.	PneuTech #	Description	Qty
4	APA-9101501	Oultet steel pipe	1
6	APA-9101502	O-ring,VITON	1
8	APA-9101503	Pipe coupling joint	3
11	DA-9071509	Washer	54
12	DA-9071512	Spring washer	32
13	DA-9071521	Nut	24
14	DA-9071518	Hexagon Head Bolt	24
15	AIG-9081514	Hexagon socket head cap screws	8
16	APA-9101504	Hexagon Head Bolt	4
17	APA-9101505	U-Bolt	1
18	CS-9091505	Washer	2
19	DA-9071514	Spring washer	2
20	CSW-9091507	Bolt	2
21	APA-9101506	Flexible hose c/w elbow and flanges	1
22	APA-9101507	Flexible hose c/w elbow and flanges	1

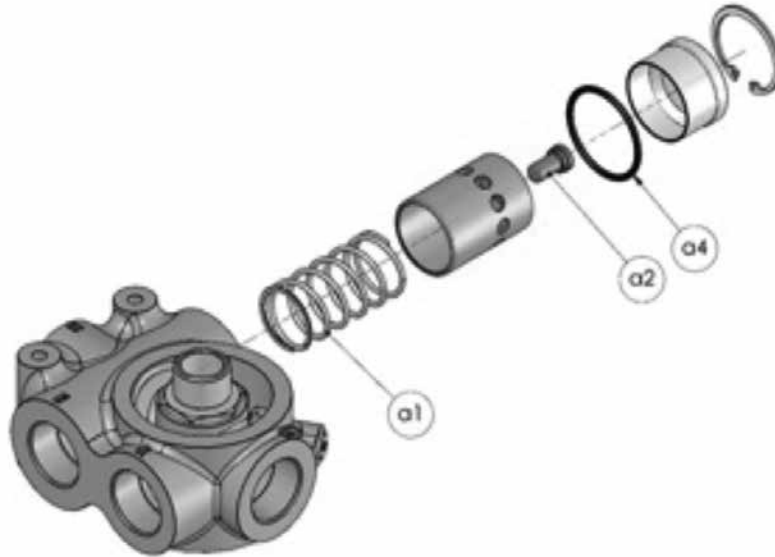
RKHD-220 Variable Speed - Parts List

Oil Pipeline Assembly



NO.	PneuTech #	Description	Qty
1	OPA-9111510	Temperature control valve	1
2	OPA-2570875	Oil filter	1*
3	OPA-9111501	Elbow	3
4	OST-2500078	Elbow	1
5	OPA-9111501	Elbow	2
6	OPA-9111502	Steel pipe	1.1m
7	OPA-9111503	Straight joint	2
8	OPA-9111504	Flexible hose	1
9	OPA-9111505	Steel pipe	0.5m
10	OPA-9111506	U-bolt	2
11	OPA-9111507	Steel pipe	3.4m
12	OPA-9111508	Flexible hose	1
13	OPA-9111509	Elbow	1
14	OST-2500078	Elbow	1

VTFT Group

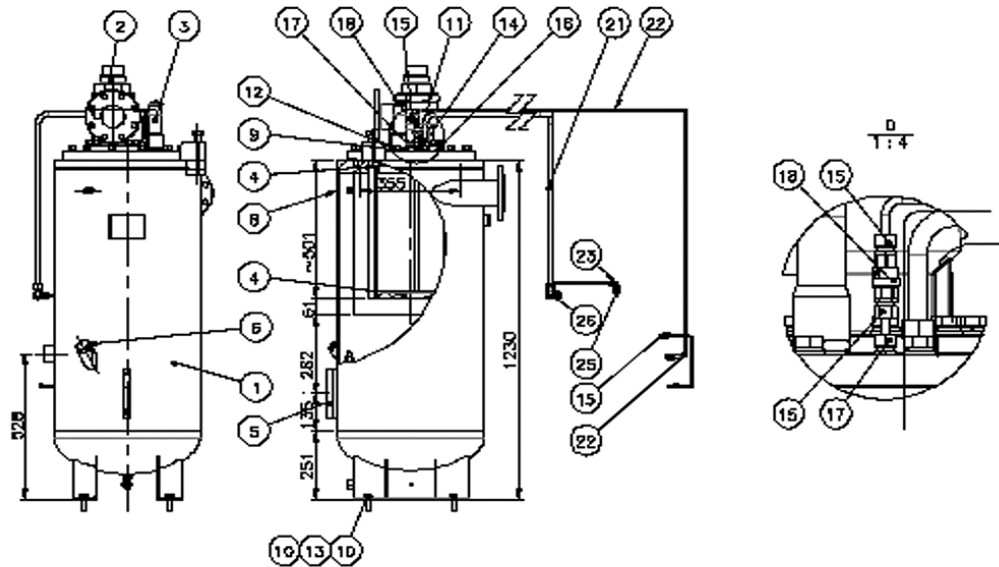


NO.	PneuTech #	Description	Qty
-	VTFT-1	Complete maintenace kit. include a1-a3	*
a1		Spring	1
a3		Sensitive element	1
a4		O'ring	1

*only complete kit can be provided

RKHD-220 Variable Speed - Parts List

Air & Oil Tank Assembly



NO.	PneuTech #	Description	Qty
1	AOT-226	Air/oil tank	1
2	AOT-211	Minimum Pressure Valve	1
3	AOT-227	Safety valve	1
4	AOT-228	Oil separator	1
5	AOT-213	Oil sightglass	1
6	AOT-214	Filler cap	1
7	AOT-215	O-ring,VITON	1
8	OST-2500072	Pressure gauge	1
9	DA-9071509	Washer	24
10	DA-9071512	Spring washer	24
11	AOT-216	Hexagon Head Bolt	8
12	AOT-217	Hexagon Head Bolt	12
13	APA-9101504	Hexagon Head Bolt	4
14	AOT-218	Straight joint	1
15	AOT-219	Elbow joint	5
16	9061120	Plug	3
17	AOT-220	Straight joint	1
18	9051575	Oil recovery viewer	1

*Suggested Spare Parts

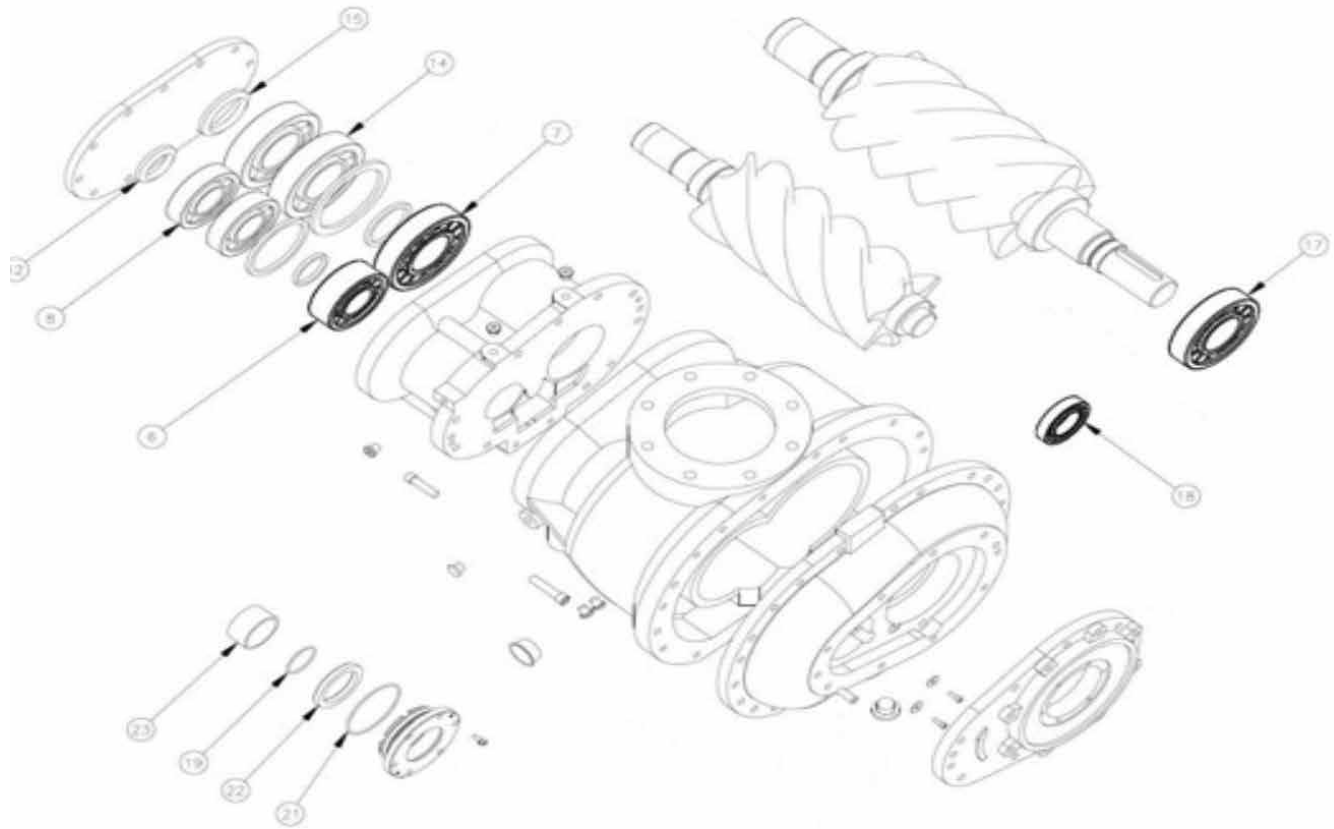
RKHD-220 Variable Speed - Parts List

Air & Oil Tank Assembly

19	AOT-221	Pipe	0.1m
20	AOT-222	Drain Valve	1
21	AOT-223	Pipe	1.8m
22	AOT-221	Pipe	2.3m
23	OPA-9111509	Elbow	2
24	AOT-221	Pipe	0.6m
25	AOT-224	Extension nipple	1
26	AOT-225	Elbow joint	1
27	AOT-221	Pipe	0.4m



Air End Group

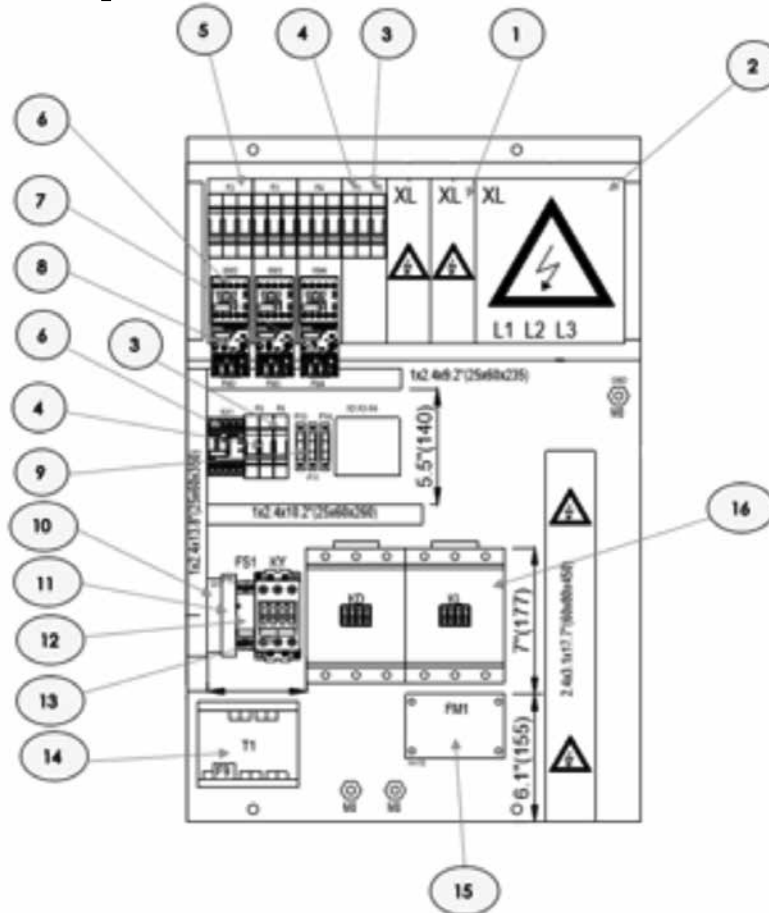


NO.	PneuTech #	Description	Qty
K50	AEK-52	BEARINGS SPARE PARTS KIT	1*
6		BEARING	1
7		BEARING	1
8		BEARING	2
12		BEARING LOCKING NUT	1
14		BEARING	2
15		BEARING LOCKING NUT	1
17		BEARING	1
18		BEARING	1
K51	AEK-53	SHAFT SEAL SPARE PARTS KIT	1*
19		O'RING	1
21		O'RING	1
22		OIL SEAL	1
23		BUSHING	1

*Only complete kit can be provided.
With kit AEK-52, the kit AEK-53 is mandatory

RKHD-220 Variable Speed - Parts List

Electrical Components



NO.	PneuTech #	Description	Qty
1	EC-314	Terminal box	2
2	EC-316	Terminal box	1
3	EC-303	Fuse holder 1p	2
4	EC-304	Fuse holder 2p	2
5	EC-317	Fuse holder 3p	3
6	EC-318	Contacteur	4
7	EC-309	Thermal relay	2
8	EC-310	Overload relay	1
9	EC-306	Fuse holder 1p	3
10	EC-312	Power supply	1
11	EC-319	Relè PTC	1
12	EC-320	Phase sequene relay	1
13	EC-321	Contacteur	1
14	EC-322	Transformer	1
15	EC-323	Thermal relay	1
16	EC-324	Contacteur	2